		<b>STEWART FILMSCREEN CORPORATION</b>	
<b>STI Wall Plate for Classic Model A Work Instruction</b>			
Document Identifier	Revision	Date Approved	Date Effective
QW-751	A	1-12-22	1-14-22
Responsibility and authority:	Process Owner		Position / Title
	Dino von Noy		QA Manager

### 1.0 PURPOSE

Instructions to correctly replace the Side Plate on Classic Model A.

### 2.0 Scope:

This procedure applies to properly replace Side Plate on Classic Model A brand.

### 3.0 Definitions:

None applicable

### 4.0 Reference Documents:

None applicable

### 5.0 Procedures:

#### STI-1 Relay Replacement Instructions – Classic Model A

##### Remove existing side plate / trigger relay

1. Make sure the electric screen's power cord is unplugged or the circuit breaker has been shut off.
2. Remove the existing side plate at the end of the screen.
3. Disconnect the wire nuts

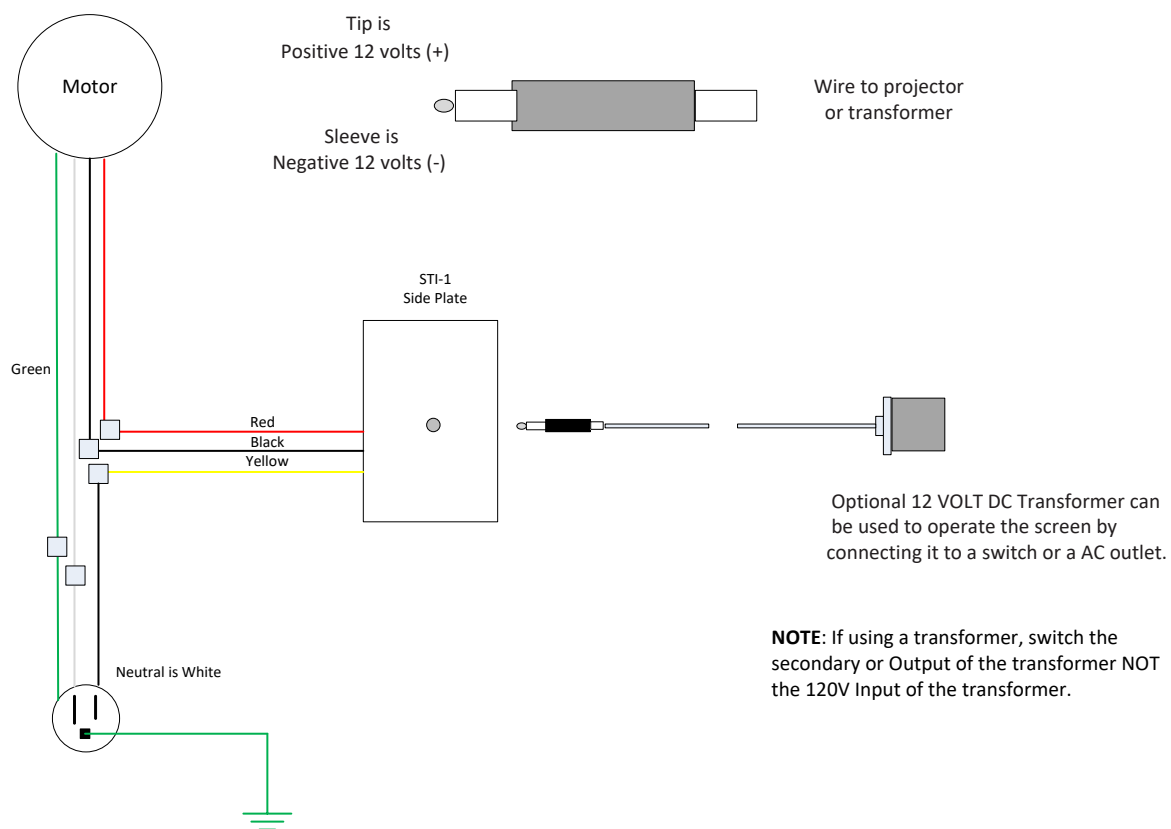
##### Install new side plate / trigger relay

1. Use the diagrams below for proper wiring connections.
2. Do not connect the incoming AC hot (black) to the motor black – it connects to “yellow”
3. Secure wire connections with wire nuts.
4. Reinstall the endplate and supply AC to the unit.

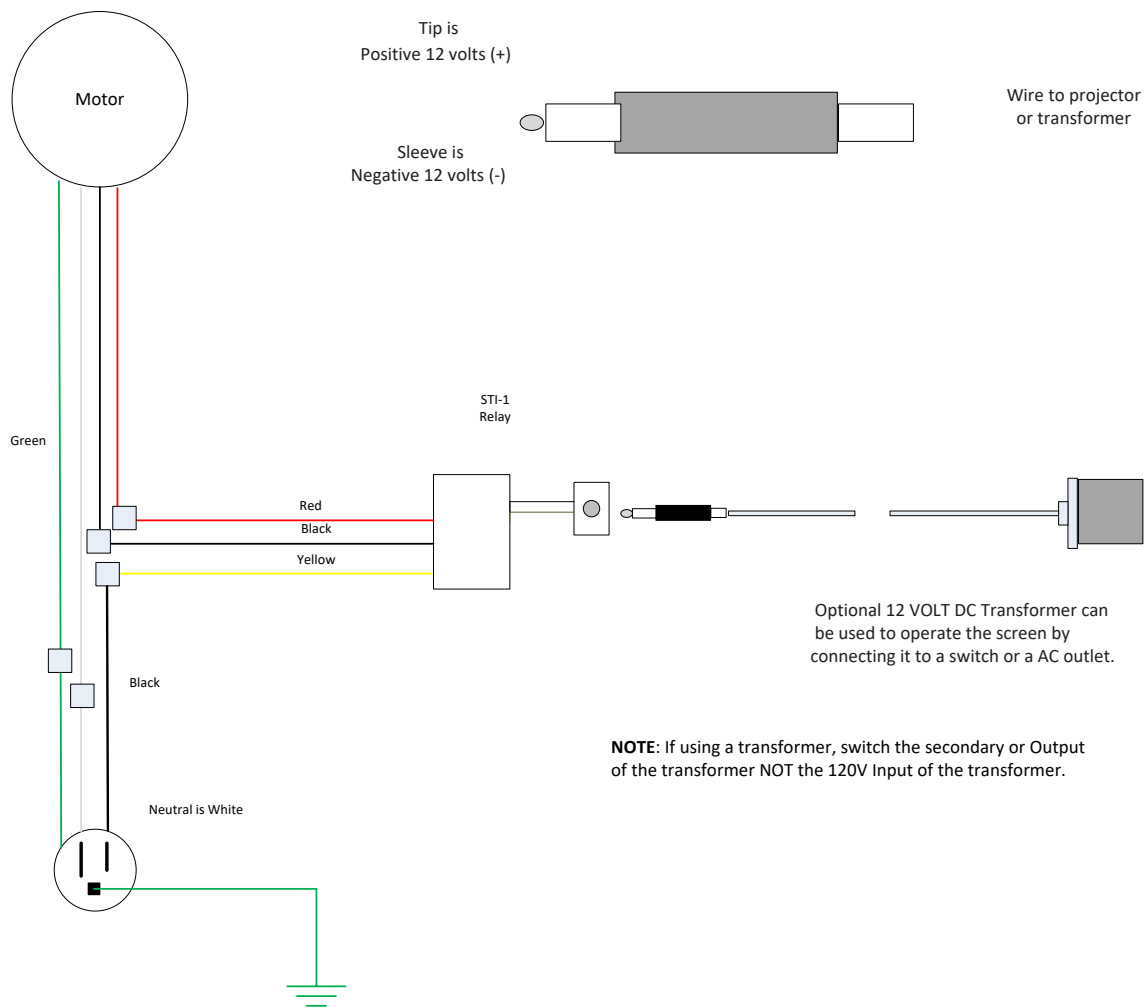
##### Trigger operational information

The STI-1 relay receives a 12 vdc trigger input signal to deploy the screen. At that time the LED indicator will light up and remain lit while the screen is “down”. When the trigger signal is terminated, the LED will go out and the screen will retract. It is important to remember to allow the screen to fully deploy or retract before switching directions of the trigger signal. Never reverse a trigger signal when the motor is operational. Always allow the motor to fully cycle and stop before sending or removing the trigger signal.

## STI-1 Side Plate wiring diagram



STI-1 Relay wiring diagram



6.0 Quality Records:

Record Name	Storage Location	Index Method	Retention
Work Instruction	Quality Assurance Dept	Order Number	5 year min.